



Custom Casters- 91ASECS630PHX

Laminated Phenolic Wheel



Heavy Duty

This custom caster has a capacity of 2500 lbs. The phenolic wheel is laminated to give a custom look.

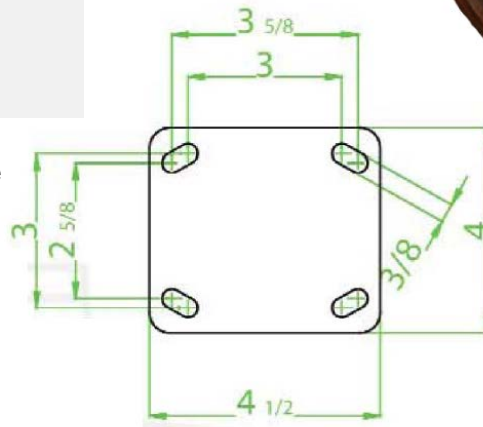
Features





Design	Laminated Phenolic Kingpinless
Capacity	2500 lbs.
Plate	4" X 4-1/2"
Bolt Hole pattern	See plate size pattern

Application

Food processing plant	Baking carts
Food service equipment	
Stock and maintenance carts	
Institutional service carts and equipment	

Call us on the different plate options- as shown is a 4"X4-1/2" plate



 Wheel Diameter	 Wheel Width	 lbs. Capacity	 Wheel Type
6"	3"	2500	Phenolic