



## Grey Polyurethane on Nylon- PYG/153C01



Medium/ Heavy Duty

This wheel is ideal for warehouse equipment. Wheel comes with bearings for easy rolling.

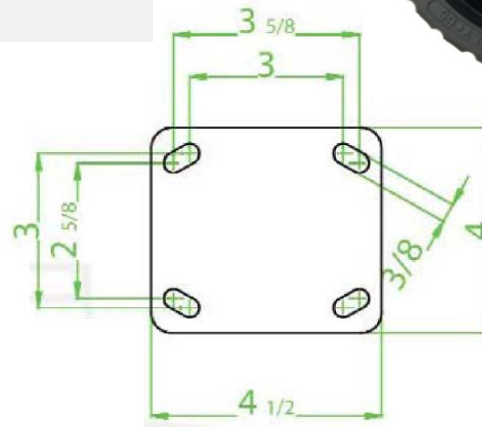
### Features





Design	Ploy on Nylon Wheel with inset traction tread
Capacity	Up to 800 lbs
Plate	4" X 4-1/2"
Bolt Hole pattern	See plate size pattern

### Application

Food processing plant	Baking carts
Food service equipment	
Stock and maintenance carts	
Institutional service carts and equipment	

Call us on the different stem applications-



 Wheel Diameter	 Wheel Width	 Capacity	 Wheel Type
6"	1-5/8"	650	Polyurethane on Nylon
8"	1-5/8"	800	Polyurethane on Nylon